

## Specifications

Insulation Resistance: 1,000M $\Omega$  min. at 100V DC, pitch 0.5  
 1,000M $\Omega$  min. at 500V DC, pitch 0.65, 0.8, 1.27

Dielec. Withstd. Voltage: for 1 minute at 100 V AC, pitch 0.5  
 for 1 minute at 500 V AC, pitch 0.65  
 for 1 minute at 700 V AC, pitch 0.8, 1.27

Contact Resistance: 30m $\Omega$  max. at 10mA/20mV max.

Operating Temp. Range: -40°C to +150°C

Contact Force: 20g min. per pin at minimum displacement of 0.3mm  
 80g max. per pin at maximum displacement of 0.7mm

## Materials and Finish

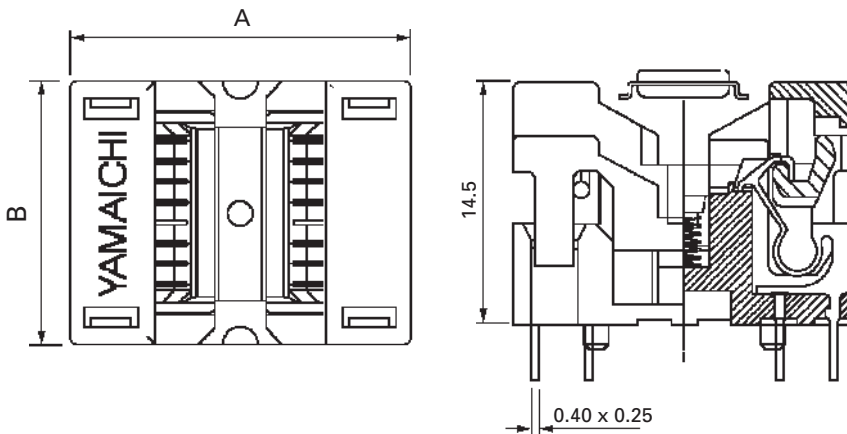
Housing: Polyetherimide (PEI), glass-filled  
 Contacts: Beryllium Copper (BeCu)  
 Plating: Gold over Nickel

## Features

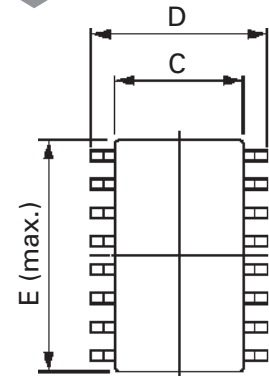
- Open Top low actuation force socket

## Applicable Dimensions (Reference Only)

### Outline Socket Dimensions



### Outline IC Dimensions



1) Dead bug loading



1) Dead bug loading

Part Number	Package	Pin Count	Pitch	Socket Dimensions		IC Dimensions		
				A	B	C	D	E (max.)
IC189-0402-096 *	SOP	40	1.27	27.20	31.62	11.30	14.10	26.30
IC189-0422-025 *-*	SOP	42	0.8	25.00	25.4	8.40	11.93	17.75
IC189-0442-065 *	SOP	44	1.27	29.11	34.16	13.20	16.00	28.25
1) IC189-0482-066 *-2	TSOP I	48	0.5	36.00	20.0	16.40	18.00	12.30
IC189-0482-066 *	TSOP I	48	0.5	36.00	20.0	16.40	18.00	12.30
IC189-0482-077 *	TSOP I	48	0.5	40.00	18.0	18.40	20.00	12.30
IC189-0482-094 *	TSSOP	48	0.5	28.10	18.2	6.10	8.10	12.63
IC189-0482-111 *-2	TSOP	48	0.4	34.00	16.0	12.40	14.00	10.20
IC189-0482-047 *	SSOP	48	0.65	24.00	22.5	8.00	10.00	16.00
IC189-0522-124 *	TSOP	52	0.4	30.50	18.0	8.69	10.49	11.03
IC189-0542-088 *	TSOP II	54	0.8	24.90	29.8	10.16	11.76	22.72
IC189-0542-093 *	TSOP II	54	0.8	24.90	29.8	10.16	11.76	22.47
IC189-0562-067 *	TSOP I	56	0.5	40.00	20.0	18.40	20.00	14.46
IC189-0562-078 *	TSOP I	56	0.5	40.00	20.0	18.40	20.00	14.30
IC189-0622-084 *-*	SOP	62	0.8	31.46	34.60	16.00	18.00	25.95

## Part Number (Details)

IC189 - 042 2 - 025 \* - \*

Series No.

No. of Contact Pins

Number of Sides with Contacts

Design Number

Positioning Pin:  
 N = Without Positioning Pin  
 P = With Positioning Pin

Protection Key\*  
 K = With Protection Key  
 Unmarked = Without Protection Key

\*Protection Key: Prevents IC from releasing during transportation

# IC189 Series (Open Top)

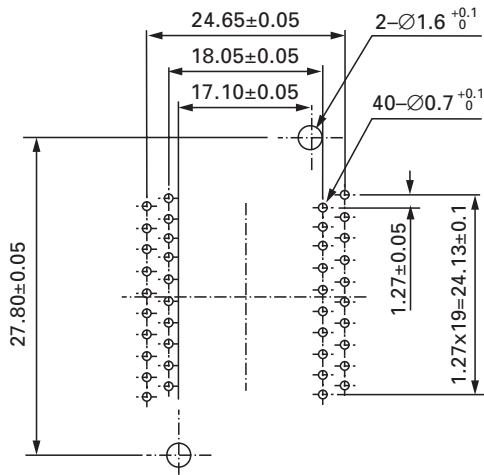
SOP, SSOP, TSOP (Type I and II)

## Recommended PCB Layouts (40 to 48 pins)

Top view from socket

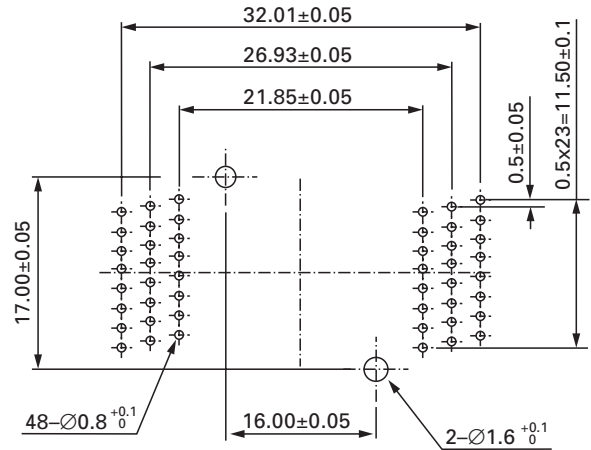
40 pins (SOP)

IC189-0402-096



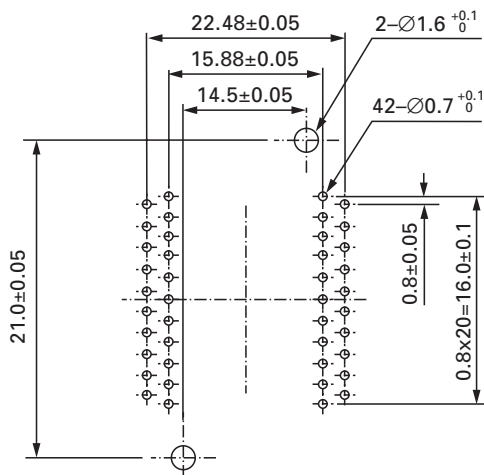
48 pins (TSOP I)

IC189-0482-066-2  
IC189-0482-066



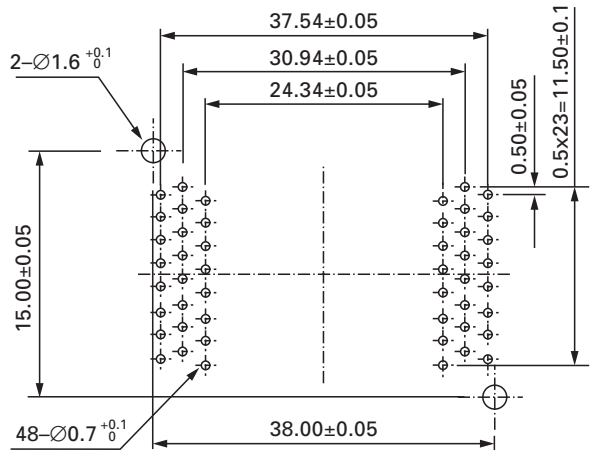
42 pins (SOP)

IC189-0422-025



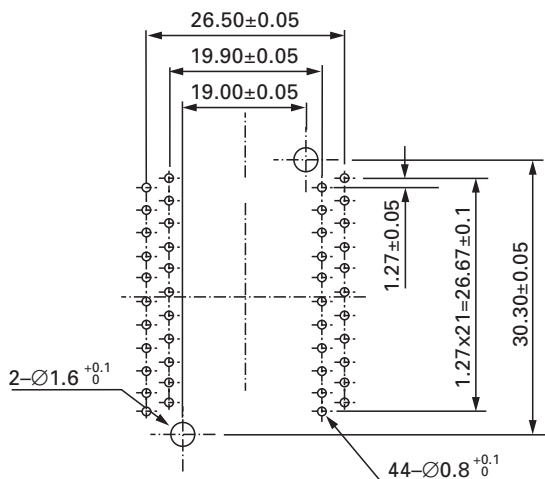
48 pins (TSOP I)

IC189-0482-077



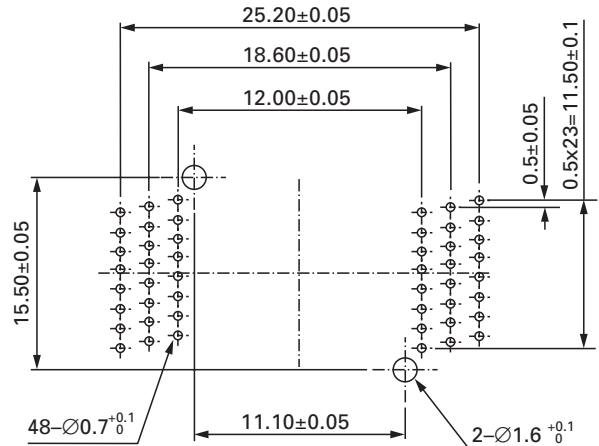
44 pins (SOP)

IC189-0442-065



48 pins (TSSOP)

IC189-0482-094



# IC189 Series (Open Top)

# SOP, SSOP, TSOP (Type I and II)

## Recommended PCB Layouts (48 to 54 pins)

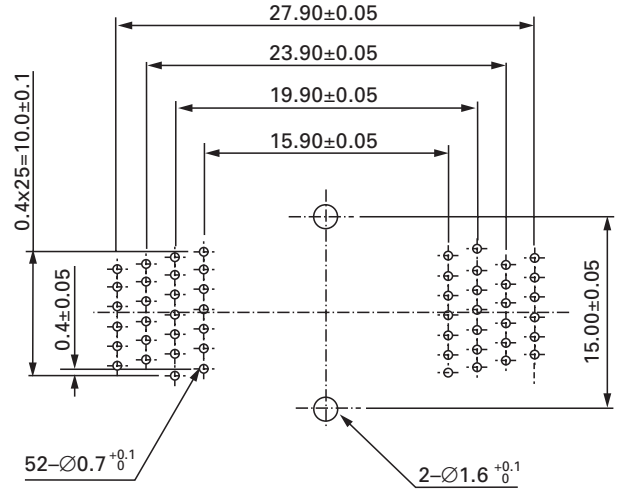
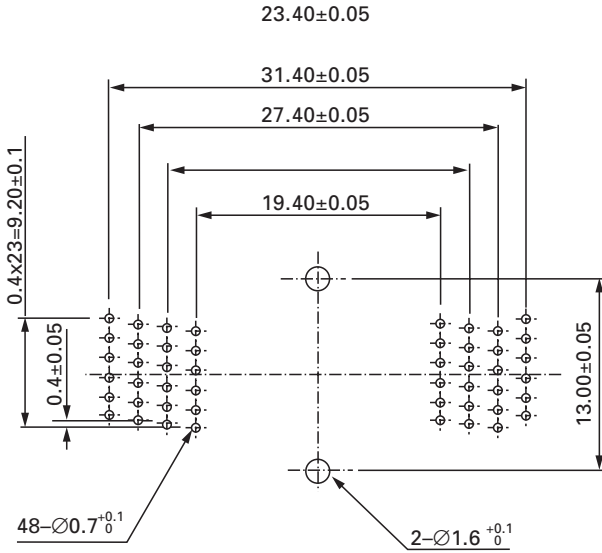
Top view from socket

48 pins (TSOP)

IC189-0482-111-2

52 pins (TSOP)

IC189-0522-124

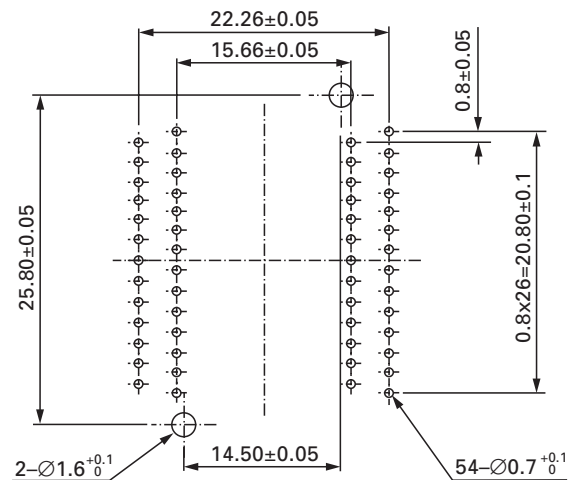
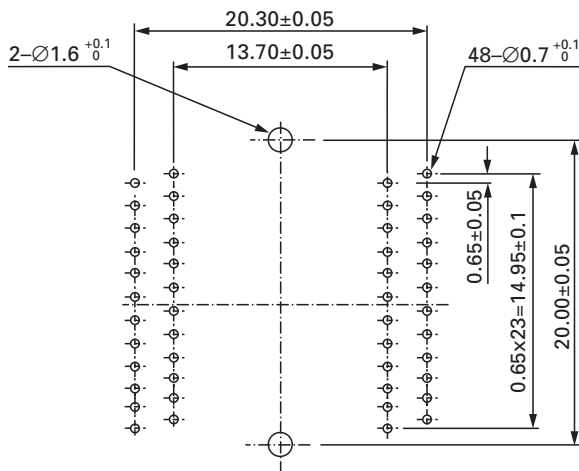


48 pins (SSOP)

IC189-0482-047

54 pins (TSOP II)

IC189-0542-088



# IC189 Series (Open Top)

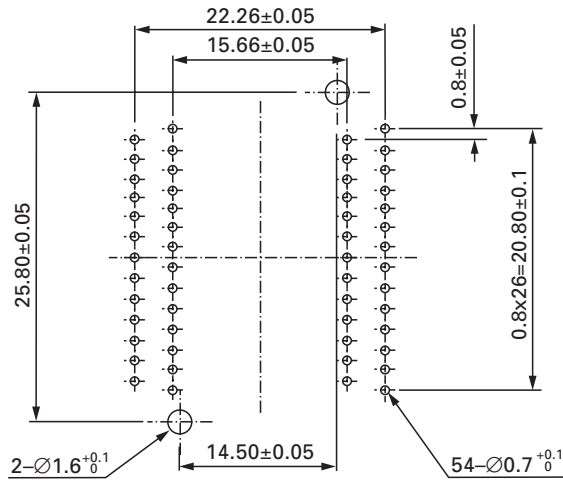
# SOP, SSOP, TSOP (Type I and II)

## Recommended PCB Layouts (54 to 62 pins)

Top view from socket

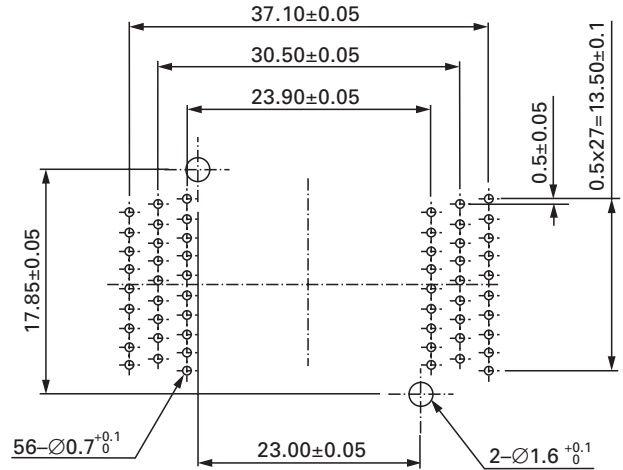
54 pins (TSOP II)

IC189-0542-093



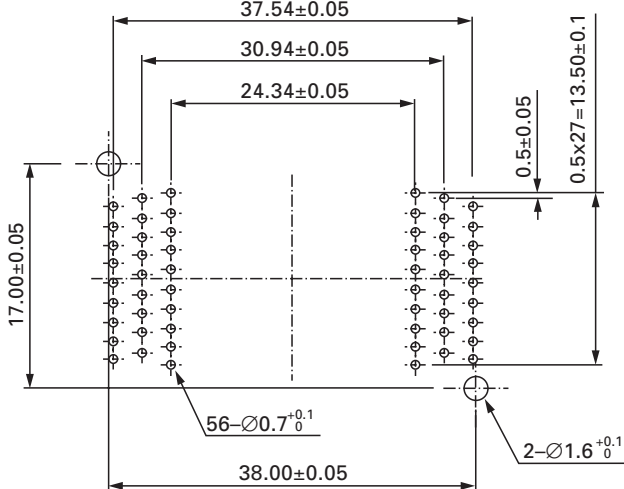
56 pins (TSOP I)

IC189-0562-067



56 pins (TSOP I)

IC189-0562-078



62 pins (SOP)

IC189-0622-084

